

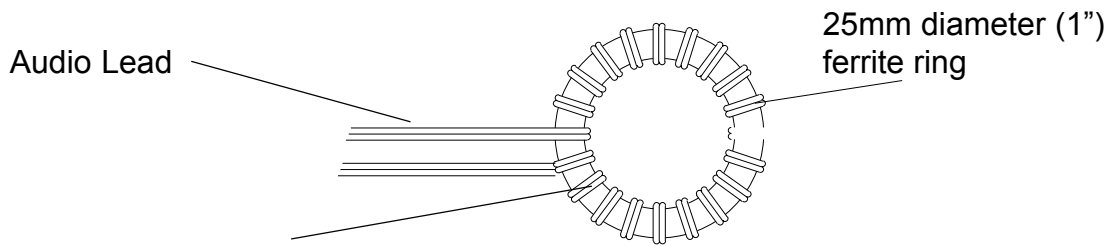
Help Sheet 1

RF Feedback



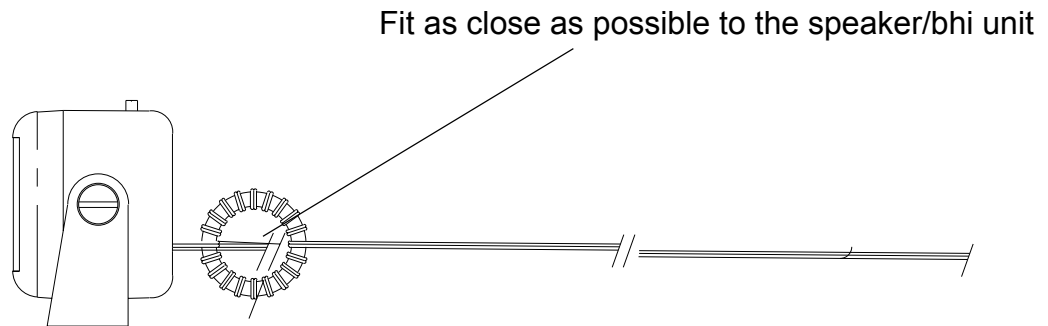
All bhi products will operate correctly under normal working conditions. However if problems with feedback are experienced during transmission then the following help sheet has been prepared to help resolve this problem. Check out the other FAQ's for this issue.

Step 1.



Wind as many turns as possible around the ferrite

Figure 1.
Ferrite ring winding detail



Try transmitting again. If the problem persists , then move to step 2.

Step 2.

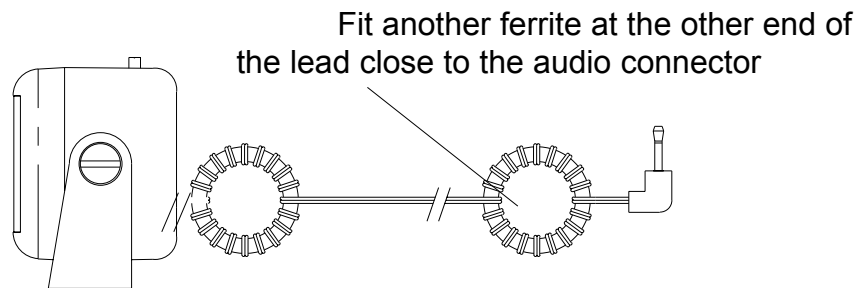


Figure 2.
Additional ferrite on audio lead.

Try transmitting again. If the problem persists , then move to step 3. If the problem is cured, try removing the first ferrite.

Step 3.

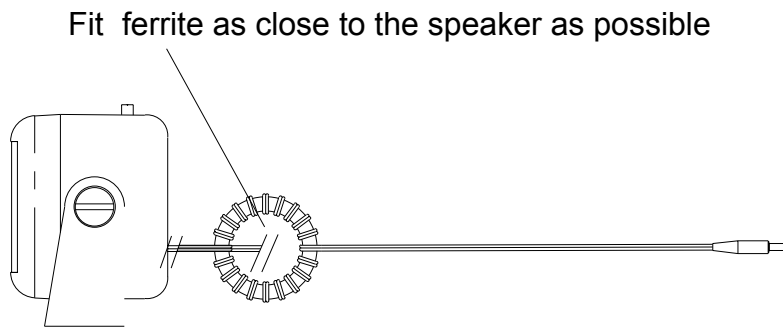


Figure 3.
Power lead suppression.

Try transmitting again. If the problem persists , then move to step 4.
If the problem is cured, try removing the previous ferrite(s). Shortening the power lead may also improve the situation.

Step 4.

Fit another ferrite at the other end of the power lead

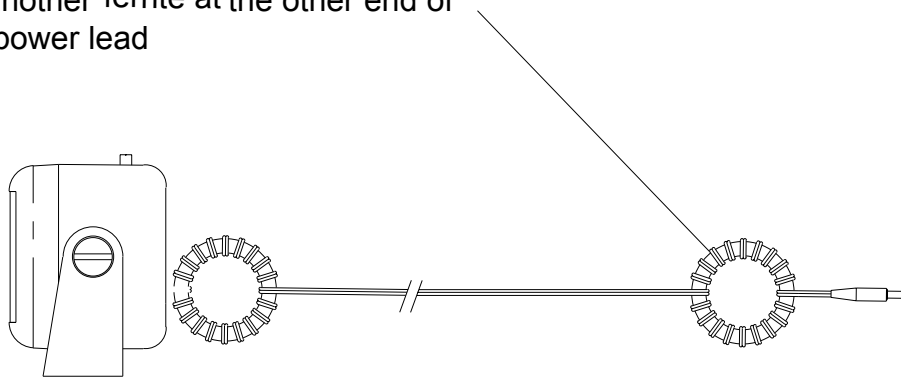


Figure 4.
Additional power lead suppression.

Try transmitting again, if the problem is cured, try removing the previous ferrite(s).
If the problem persists contact bhi and we will endeavour to resolve your problem.



bhi Ltd

22 Woolven Cl , Burgess Hill, West Sussex, RH15 9RR

Tel: +44(0)1444 870333

web: www.bhi-ltd.com

